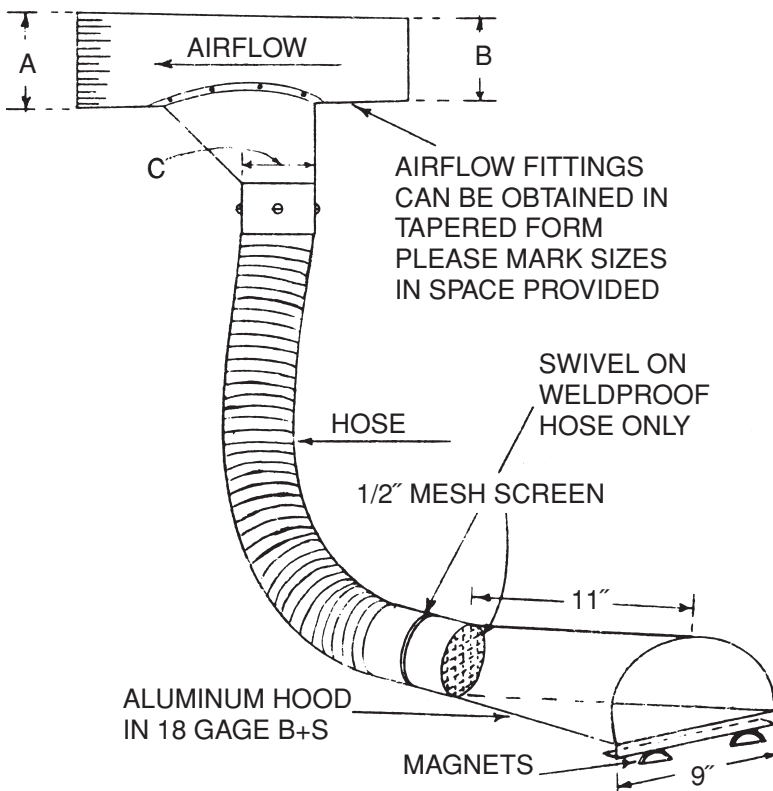


# WELDING FUME EXHAUST SYSTEMS

MODEL  
**W - 400 R 4"**  
 MODEL  
**W - 400 H 5"**  
 MODEL  
**W - 400 X 6"**  
*Larger Diameters Available*

## INDIVIDUAL OUTLETS FOR WELDING FUME EXHAUST

ALL DIAGRAMS ARE NOT TO SCALE



AIRFLOW FITTING IN GAGE  
 FITTING SIZES

	A	B	C	
=				STAINLESS STEEL
=				= X
=				= X
=				GALVANIZED
=				= X
=				= X
=				WELDPROOF
=				= X
=				= X

Job Name: \_\_\_\_\_ Contractor: \_\_\_\_\_

\_\_\_\_\_  
 \_\_\_\_\_

