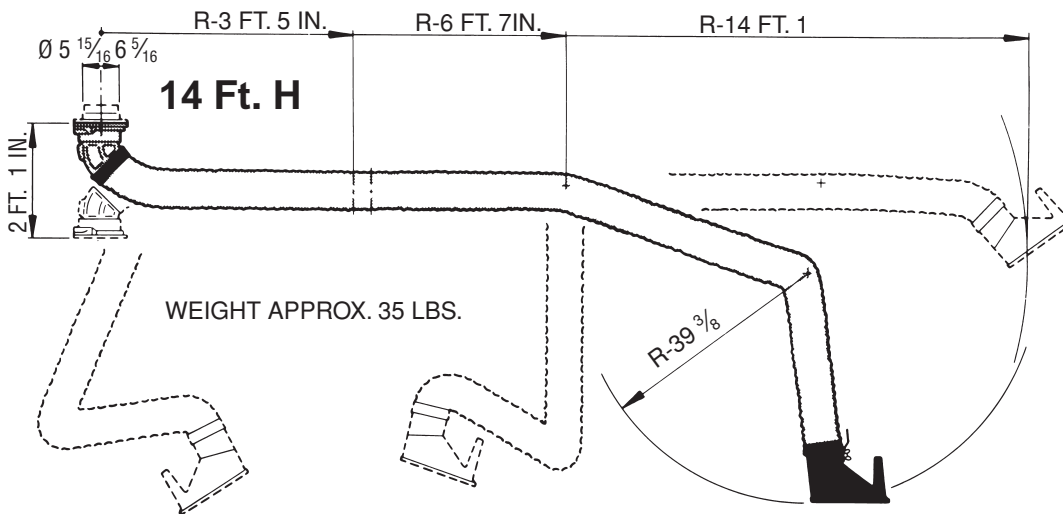
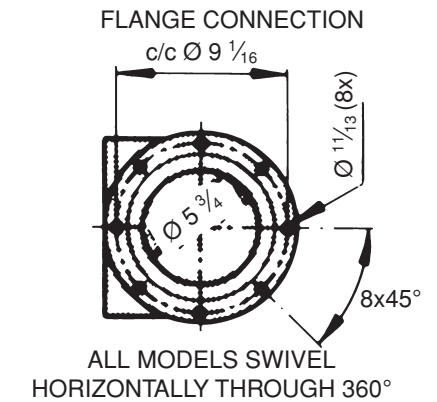
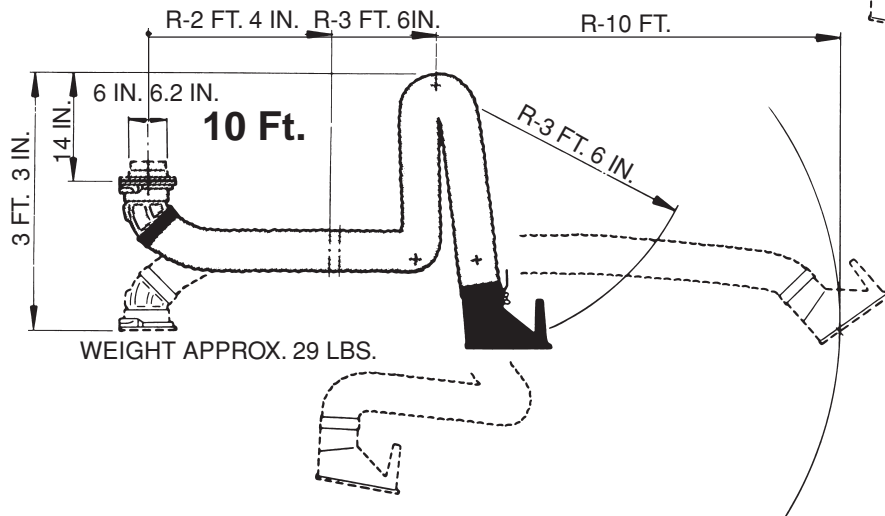
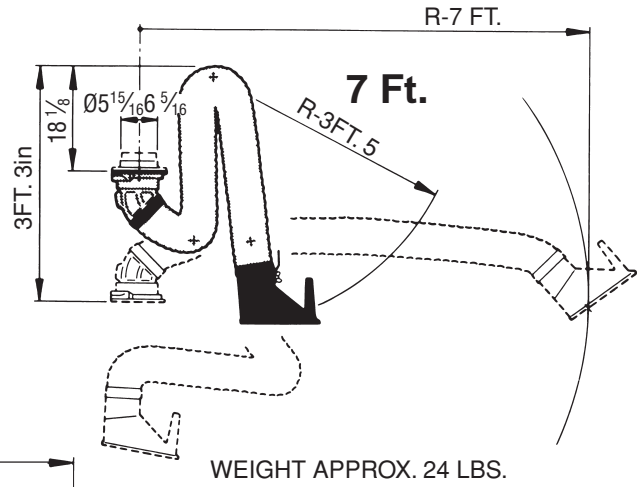
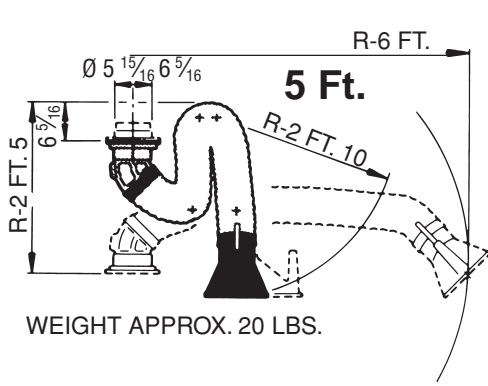
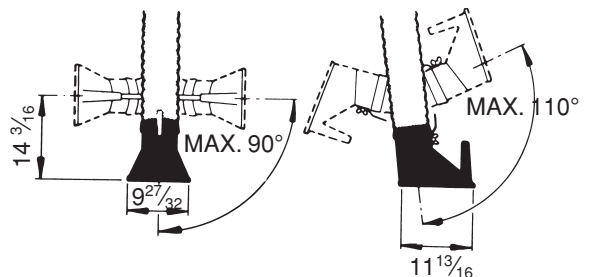


# MEASUREMENTS

**Welding/Fume Extractor**  
Self-supporting fume arms



The **hood** can be turned forward, backward and sideways on all models.



**ALL DIAGRAMS ARE NOT TO SCALE**

