

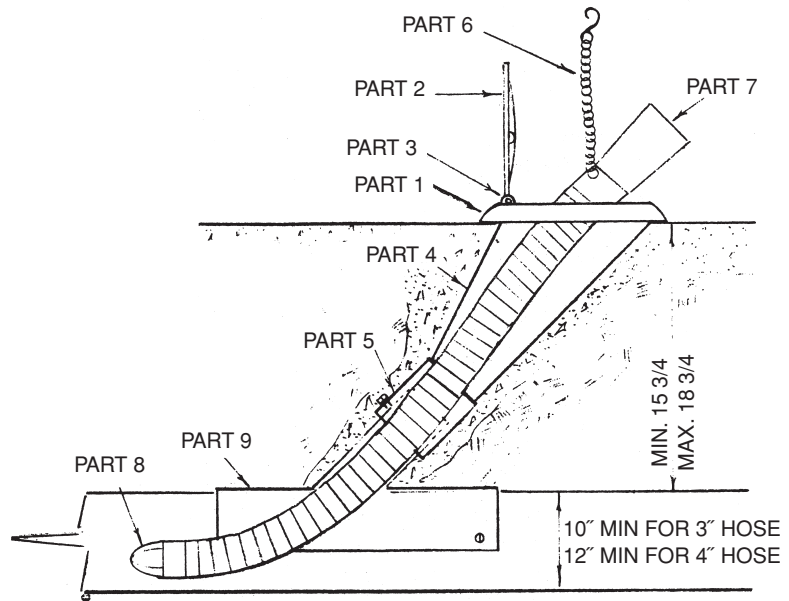
ENGWALD SADDLE UNITS U-59-DTS, DTHS UNITS

UNDERFLOOR DISAPPEARING TWIN HOSES

EACH HOSE IN SEPARATE COMPARTMENT
Dimensions of units are on the following page
ALL diagrams are not to scale

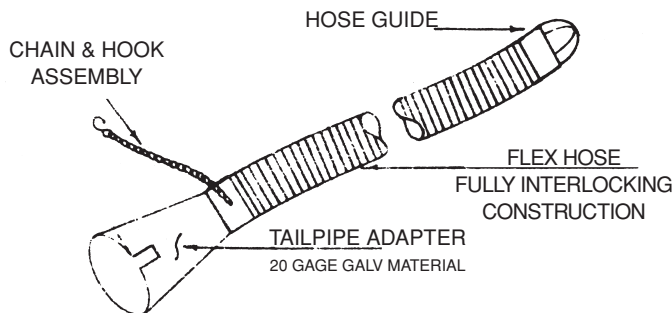
CONSTRUCTION

- Part 1 - Cast aluminum frame
- Part 2 - Cast aluminum reinforced lid
- Part 3 - 3/16 stainless steel pin
- Part 4 - 20 gage galvanized steel transition, coated with bituminous paint
- Part 5 - Hose seal with adjustment screw
- Part 6 - Chain & hook assembly
- Part 7 - Tailpipe adapter
- Part 8 - Hose guide
- Part 9 - 18 gage saddle
- Part 10 - Divider plate
- Part 11 - Cadium plated spring



TAILPIPE ADAPTER: Ⓞ GALVANIZED, Ⓞ STAINLESS STEEL

Number of outlets	Using galvanized hose	Using stainless steel hose
U-59-DTS 3" SIZE	FT LONG	FT LONG
U-59-DTHS 4" SIZE	FT LONG	FT LONG



FLEXIBLE HOSE ASSEMBLY

