

# ENGWALD PLUG-IN TWIN UNITS U-60-PT, PTH, PTX UNITS

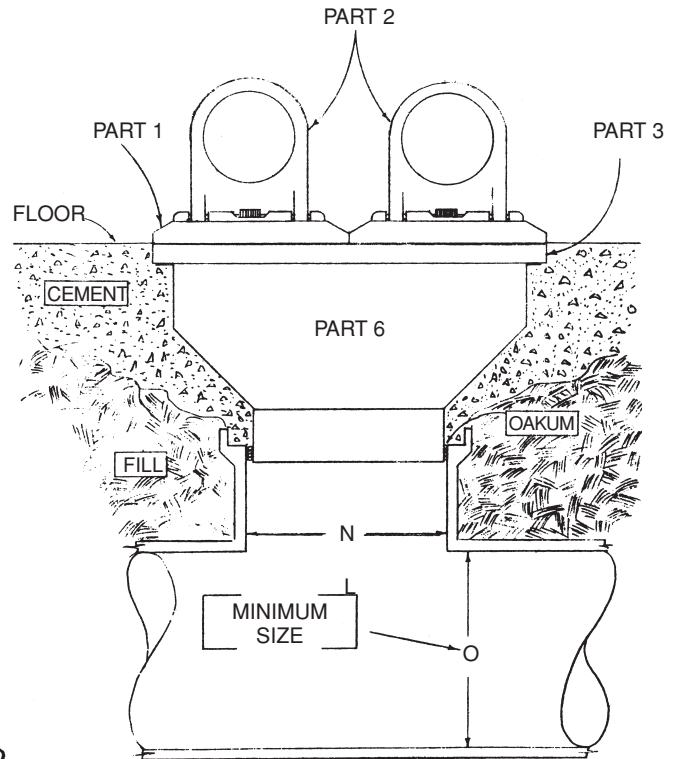
Dimensions of units are on the following page  
ALL diagrams are not to scale

## CONSTRUCTION

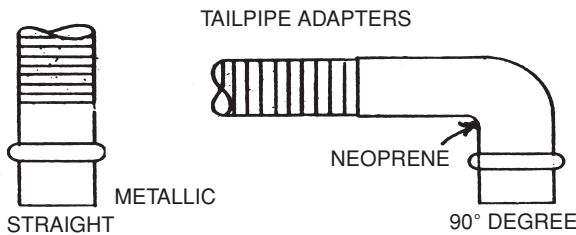
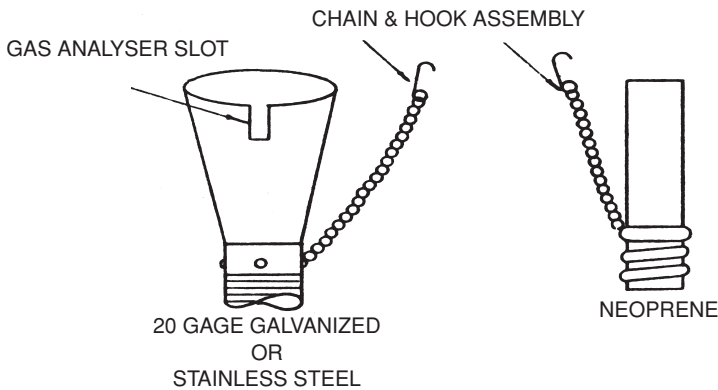
- Part 1 - Cast aluminum frame with beveled edges
- Part 2 - Cast aluminum reinforced self closing lid
- Part 3 - Cast aluminum support plate
- Part 4 - 3/16 stainless steel hinge pin
- Part 5 - Cadmium plated spring
- Part 6 - 22 gage galvanized steel transition coated with bituminous paint

- 90° couplings made out of
- 3" = neoprene
  - 4" = cast aluminum
  - 5" & 6" = 18 gage material

All straight couplings made out of 18 gage material.



MODEL U-60-PT 3" HOSE  
MODEL U-60-PTH 4" HOSE  
MODEL U-60-PTX 5" HOSE



PLUG-IN COUPLINGS

## TAILPIPE ADAPTER: ® GALVANIZED, ® STAINLESS STEEL, ® NEOPRENE

Number of outlets	Using galvanized hose	Using stainless steel hose	Using crushproof neoprene hose	Using HI temp silicone hose
U-60-PT 3" SIZE	FT LONG	FT LONG	FT LONG	FT LONG
U-60-PTH 4" SIZE	FT LONG	FT LONG	FT LONG	FT LONG
U-60-PTX 5" SIZE	FT LONG	FT LONG	FT LONG	FT LONG

