

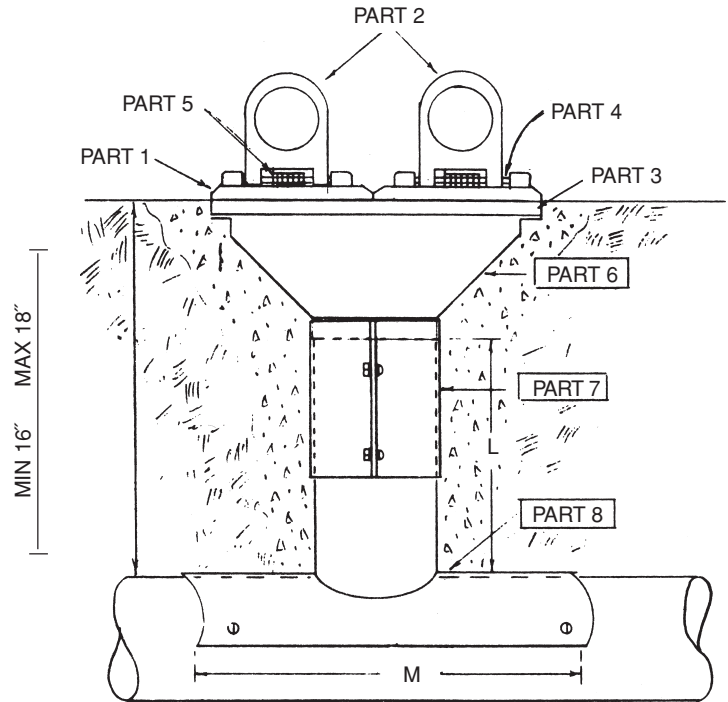
# ENGWALD PLUG-IN TWIN SADDLE UNITS U-60-PTS, PTHS, PTXS UNITS

## TWIN PLUG-IN TYPE

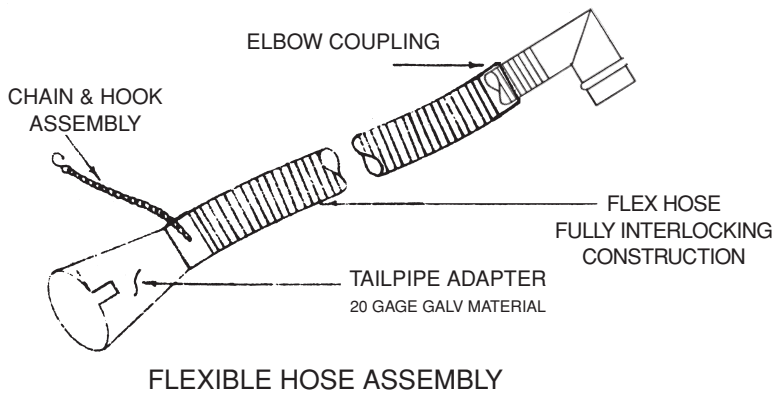
Dimensions of units are on the following page  
ALL diagrams are not to scale

### CONSTRUCTION

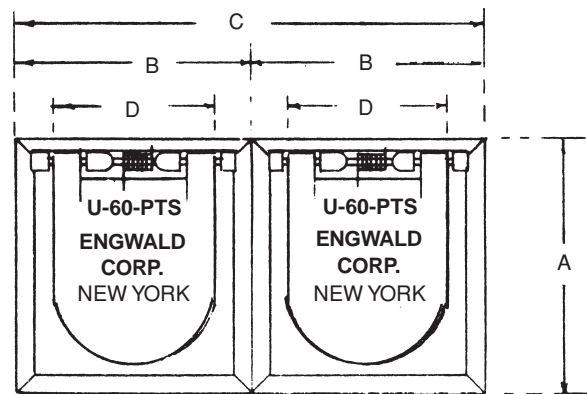
- Part 1 - Cast aluminum frame with beveled edges
- Part 2 - Cast aluminum reinforced self closing lid
- Part 3 - Cast aluminium support plate
- Part 4 - 3/16 stainless steel hinge pin
- Part 5 - Cadmium plated spring
- Part 6 - 22 gage galvanized steel transition coated with bituminous paint
- Part 7 - Split sleeve
- Part 8 - 18 gage saddle



- MODEL U-60-PTS 3" HOSE
- MODEL U-60-PTHS 4" HOSE
- MODEL U-60-PTXS 5" HOSE



FLEXIBLE HOSE ASSEMBLY



### TAILPIPE ADAPTER: ® GALVANIZED, ® STAINLESS STEEL, ® NEOPRENE

Number of outlets	Using galvanized hose	Using stainless steel hose	Using crushproof neoprene hose	Using HI Temp Silicone Hose
U-60-PTS 3" SIZE	FT LONG	FT LONG	FT LONG	FT LONG
U-60-PTHS 4" SIZE	FT LONG	FT LONG	FT LONG	FT LONG
U-60-PTXS 5" SIZE	FT LONG	FT LONG	FT LONG	FT LONG

