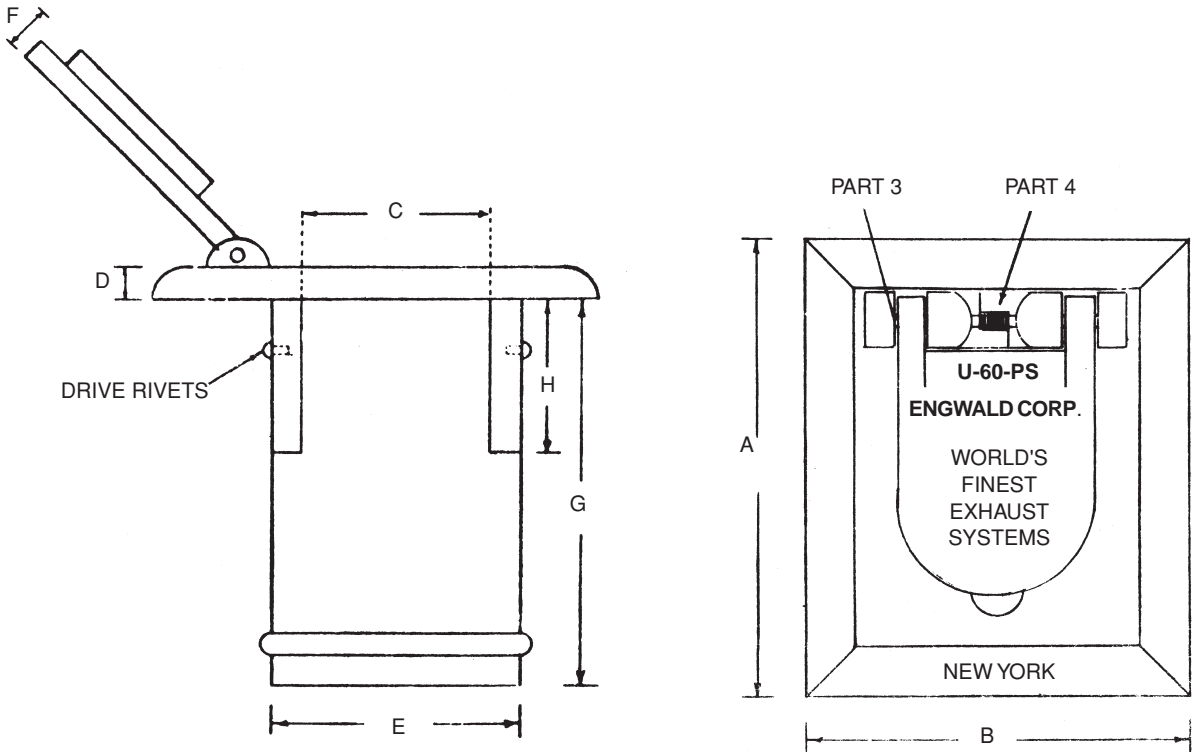


ENGWALD PLUG-IN TYPE U-60-PS, PSH, PSX, PSXH UNITS



Plug-Ins	MIN MIN									
	A	B	C	D	E	F	G	H	K	L
U-60-PS	6	5 ³ / ₄	3 ¹ / ₈	1 ¹ / ₂	4 ³ / ₈	9 ⁹ / ₁₆	6 ¹ / ₂	1 ¹ / ₂	4	4
U-60-PSH	7	6 ¹ / ₂	4 ¹ / ₈	5 ⁵ / ₈	5 ³ / ₄	9 ⁹ / ₁₆	6 ¹ / ₂	2	5	5
U-60-PSX	8 ¹ / ₄	7 ⁵ / ₈	5 ¹ / ₈	5 ⁵ / ₈	6 ⁵ / ₈	9 ⁹ / ₁₆	6 ¹ / ₂	2	6	6
U-60-PSXH	9 ¹ / ₂	9 ¹ / ₄	6 ¹ / ₄	3 ³ / ₄	7 ³ / ₄	1 ¹ / ₈	8	2	8	8

Job Name: _____ No. of Units: _____

Contractor: _____ Length of Flex Hose: _____

Remarks: _____ Flex. Hose Material: _____

