

ENGWALD PLUG-IN TYPE U-60-PS, PSH, PSX, PSXH UNITS

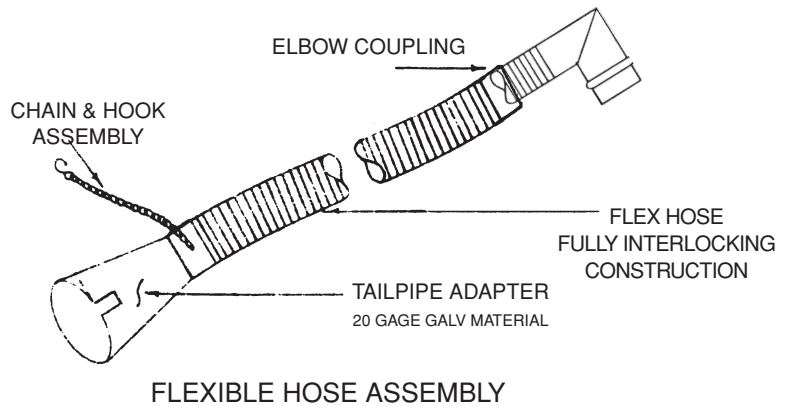
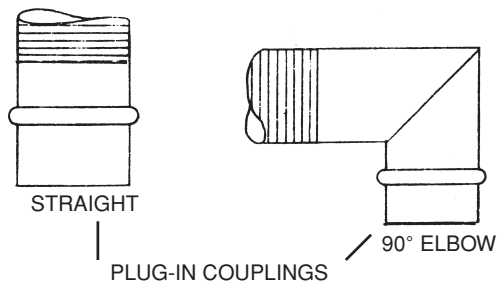
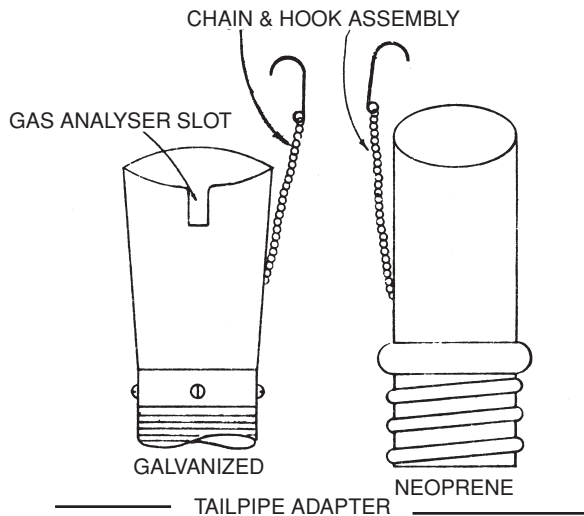
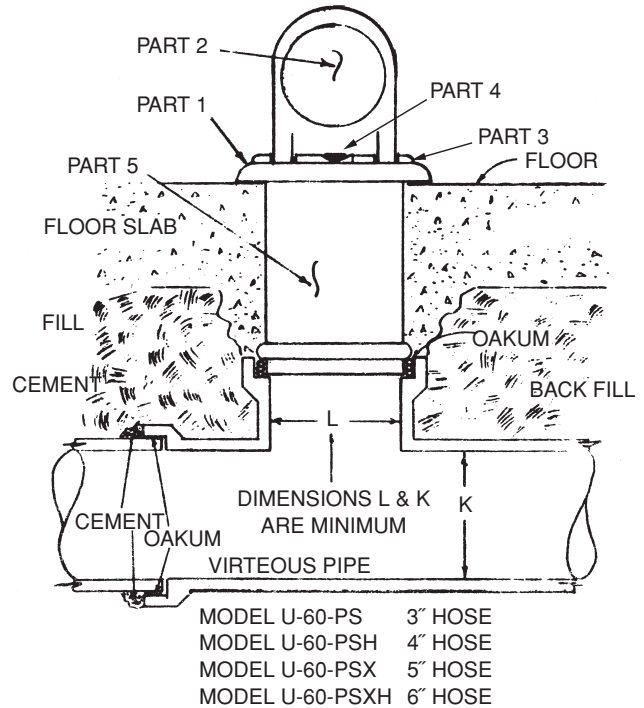
Dimensions of units are on the following page
ALL diagrams are not to scale

CONSTRUCTION

- Part 1 - Cast aluminum frame with beveled edges
- Part 2 - Cast aluminum reinforced self closing lid
- Part 3 - 3/16 stainless steel hinge pin
- Part 4 - Cadmium plated spring
- Part 5 - Extension sleeve: 20 gage galvanized material dipped in bituminous paint

- 90° couplings made out of
- 3" = neoprene
 - 4" = cast aluminum
 - 5" & 6" = 18 gage material

All straight couplings made out of 18 gage material.



TAILPIPE ADAPTER: Ⓞ GALVANIZED, Ⓞ STAINLESS STEEL, Ⓞ NEOPRENE

Number of outlets	Using galvanized hose	Using stainless steel hose	Using crushproof neoprene hose	Using Hi Temp Silicone Hose
U-60-PS 3" SIZE	FT LONG	FT LONG	FT LONG	FT LONG
U-60-PSH 4" SIZE	FT LONG	FT LONG	FT LONG	FT LONG
U-60-PSX 5" SIZE	FT LONG	FT LONG	FT LONG	FT LONG
U-60-PSXH 6" SIZE	FT LONG	FT LONG	FT LONG	FT LONG

