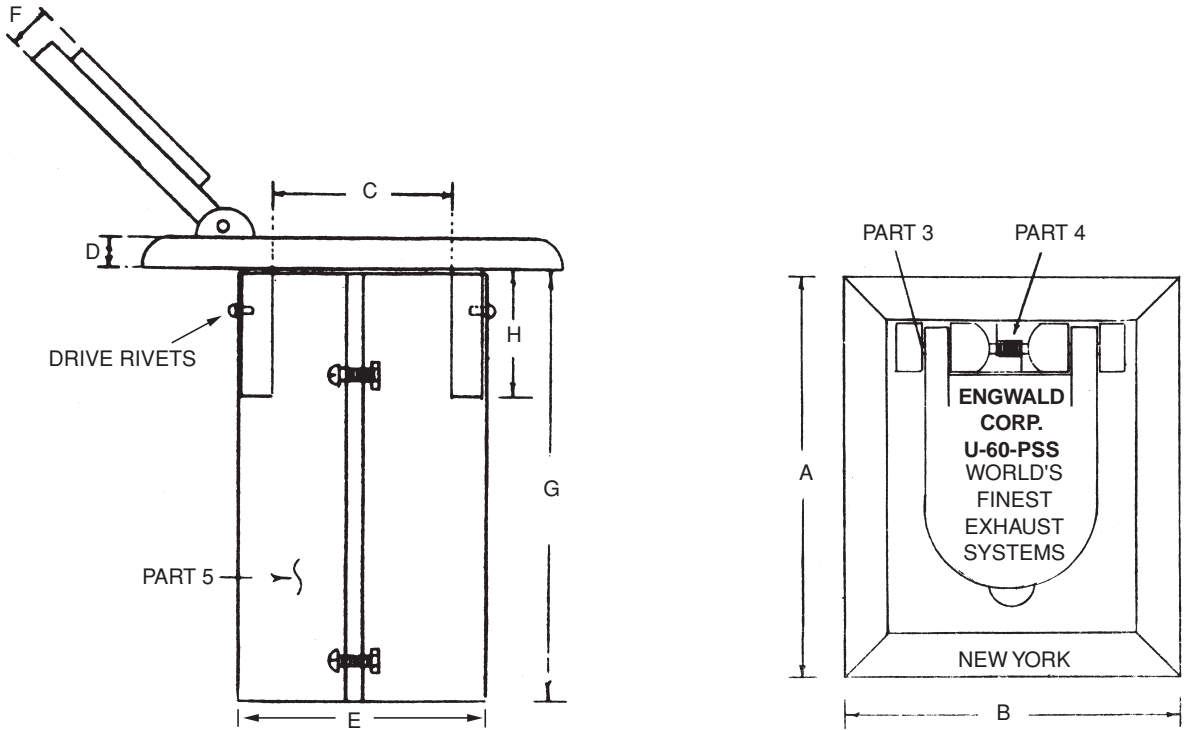


# ENGWALD PLUG-IN TYPE SADDLE UNITS U-60-PSS, PSHS, PSXS, PSXHS UNITS



Saddle Units	A	B	C	D	E	F	G	H	MIN K	MIN L
U-60-PSS	6	5 <sup>3</sup> / <sub>4</sub>	3 <sup>1</sup> / <sub>8</sub>	1/2	10	9/16	6	1 <sup>1</sup> / <sub>2</sub>	6	12
U-60-PSHS	7	6 <sup>1</sup> / <sub>2</sub>	4 <sup>1</sup> / <sub>8</sub>	5/8	10	9/16	6	2	6	12
U-60-PSXS	8 <sup>1</sup> / <sub>4</sub>	7 <sup>5</sup> / <sub>8</sub>	5 <sup>1</sup> / <sub>8</sub>	5/8	10	9/16	6	2	6	12
U-60-PSXHS	9 <sup>1</sup> / <sub>2</sub>	9 <sup>1</sup> / <sub>4</sub>	6 <sup>1</sup> / <sub>4</sub>	3/4	10	1 <sup>1</sup> / <sub>8</sub>	8	2	8	12

Job Name: \_\_\_\_\_ No. of Units: \_\_\_\_\_

Contractor: \_\_\_\_\_ Length of Flex Hose: \_\_\_\_\_

Remarks: \_\_\_\_\_ Flex. Hose Material: \_\_\_\_\_

