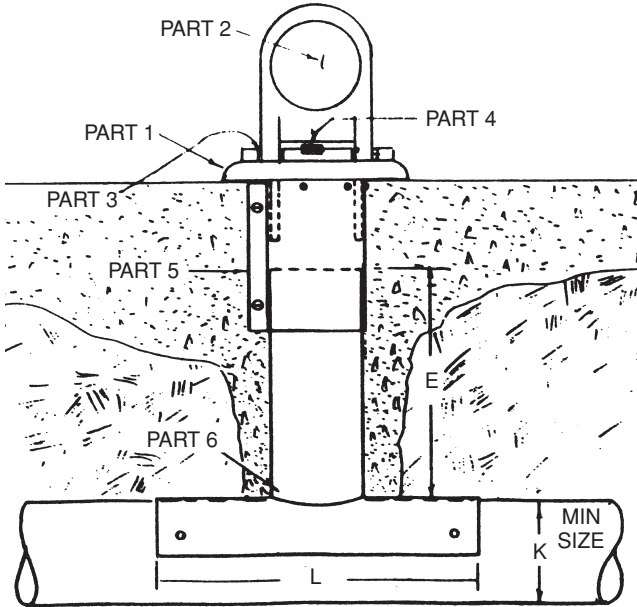


ENGWALD PLUG-IN TYPE SADDLE UNITS U-60-PSS, PSHS, PSXS, PSXHS UNITS

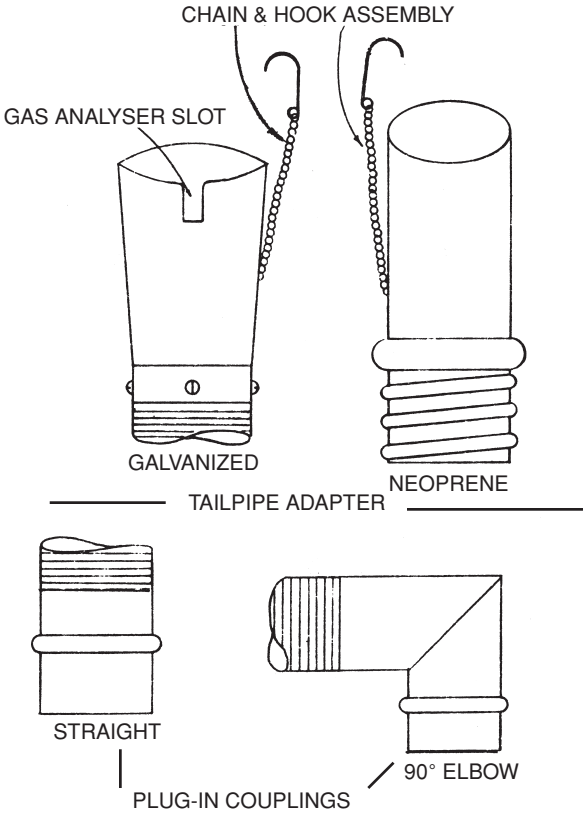
Dimensions of units are on the following page
ALL diagrams are not to scale

CONSTRUCTION

- Part 1 - Cast aluminum frame with beveled edges
 - Part 2 - Cast aluminum reinforced self closing lid
 - Part 3 - 3/16 stainless steel hinge pin
 - Part 4 - Cadmium plated spring
 - Part 5 - 20 gage galvanized drawband extension sleeve
 - Part 6 - Tee saddle
- 90° couplings made out of
 3" = neoprene
 4" = cast aluminum
 5" & 6" = 18 gage material
- All straight couplings made out of 18 gage material.



- MODEL U-60-PSS 3" HOSE
- MODEL U-60-PSHS 4" HOSE
- MODEL U-60-PSXS 5" HOSE
- MODEL U-60-PSXHS 6" HOSE



TAILPIPE ADAPTER: ® GALVANIZED, ® STAINLESS STEEL, ® NEOPRENE

Number of outlets	Using galvanized hose	Using stainless steel hose	Using crushproof neoprene hose	Using Hi Temp Silicone Hose
U-60-PS 3" SIZE	FT LONG	FT LONG	FT LONG	FT LONG
U-60-PSH 4" SIZE	FT LONG	FT LONG	FT LONG	FT LONG
U-60-PSX 5" SIZE	FT LONG	FT LONG	FT LONG	FT LONG
U-60-PSXH 6" SIZE	FT LONG	FT LONG	FT LONG	FT LONG

