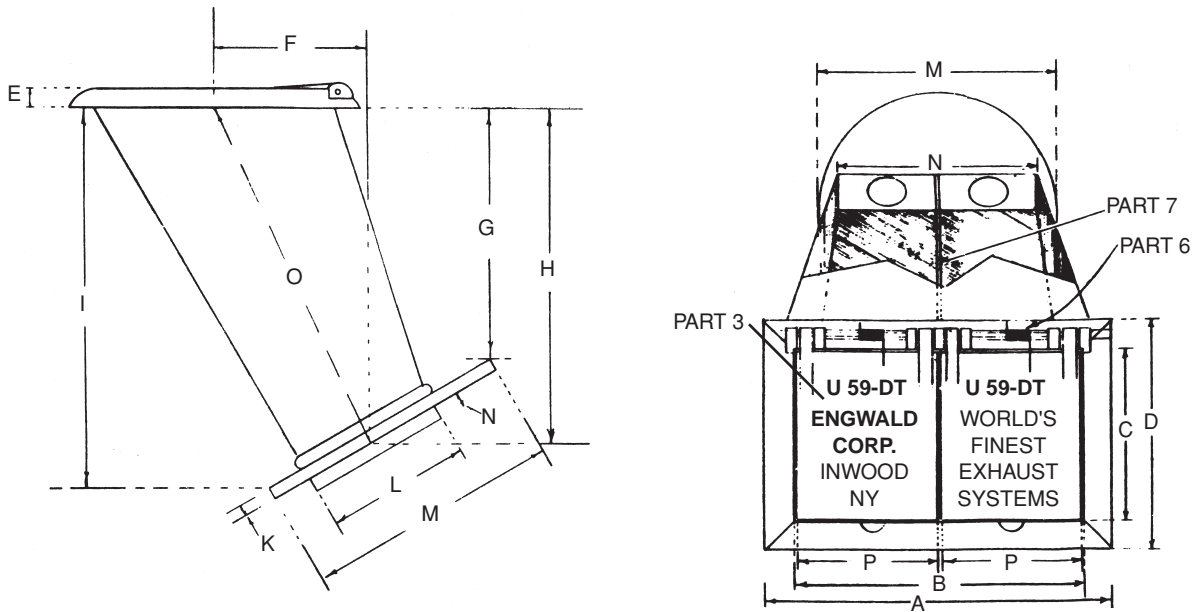


ENGWALD U-59-DT, DTH, UNITS



45°	A	B	C	D	E	F	G	H	I	K	L	M	N	O	P	MIN
U-59-DT	14	11 ¹ / ₂	6 ³ / ₄	9	3/4	9 ³ / ₄	8 ¹ / ₈	11	14	1/4	4	9 ³ / ₈	8	15 ¹ / ₂	5 ³ / ₄	10
U-59-DTH	15 ⁷ / ₈	13 ¹ / ₄	7 ⁵ / ₈	10 ¹ / ₄	3/4	10 ¹ / ₄	6 ³ / ₄	10 ¹ / ₂	15	1/4	5	11 ¹ / ₈	9 ³ / ₄	14 ⁵ / ₈	6 ¹ / ₂	12
60°	A	B	C	D	E	F	G	H	I	K	L	M	N	O	P	MIN
U-59-DT	14	11 ¹ / ₂	6 ³ / ₄	9	3/4	8 ¹ / ₂	11	13 ¹ / ₂	16	1/4	4	9 ³ / ₈	8	16	5 ³ / ₄	10
U-59-DTH	15 ⁷ / ₈	13 ¹ / ₄	7 ⁵ / ₈	10 ¹ / ₄	3/4	7	11 ³ / ₈	14 ¹ / ₄	17	1/4	5	11 ¹ / ₈	10	15 ³ / ₄	6 ¹ / ₂	12

Job Name: _____ No. of Units: _____

Contractor: _____ Length of Flex Hose: _____

Remarks: _____ Flex. Hose Material: _____

