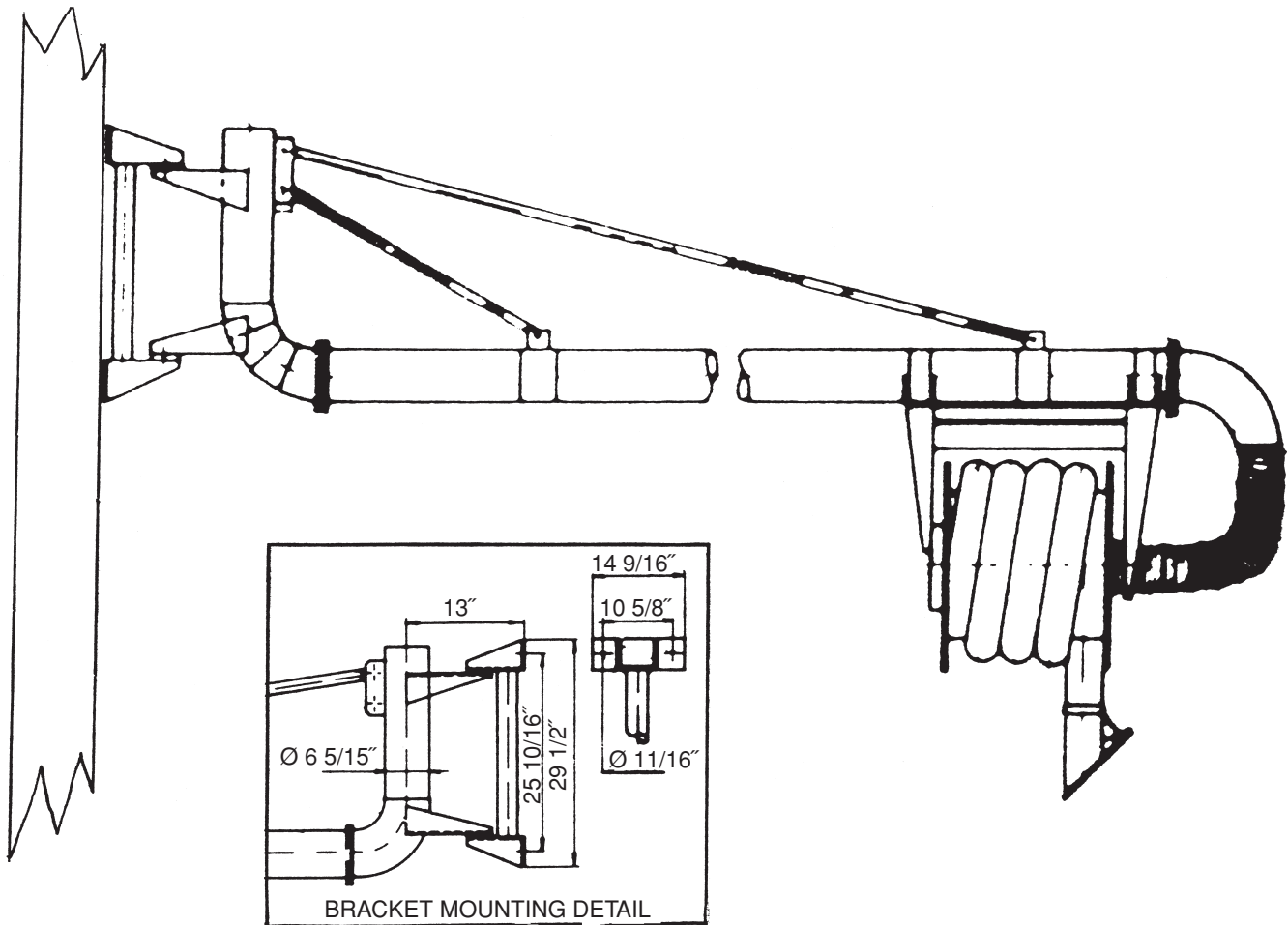


ENGWALD SWING BOOMS FOR EXHAUST REELS

Engwald has available swing booms for its exhaust hose reels.

These booms are designed to accommodate Facilities where extremely high ceiling and/or mobile craneways exist. Booms are fabricated in 7', 14' and 20' lengths capable of 180 degree pivot. These units are manufactured of heavy wall steel tube with a baked enamel finish and will support up to 220 lbs. at their outermost point.



SCHEDULE				PROJECT	
ITEM	QTY.	MODEL	DESCRIPTION	LOCATION	
				ARCHITECT	
				ENGINEER	
				CONTRACTOR	
				SALES ENG'R	
				DATE	

