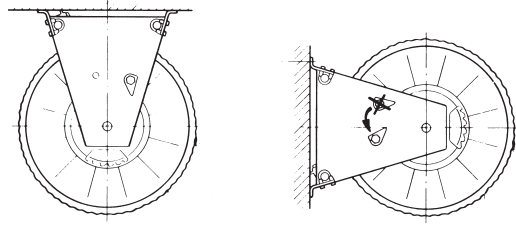


EXHAUST HOSE REEL

ASSEMBLY

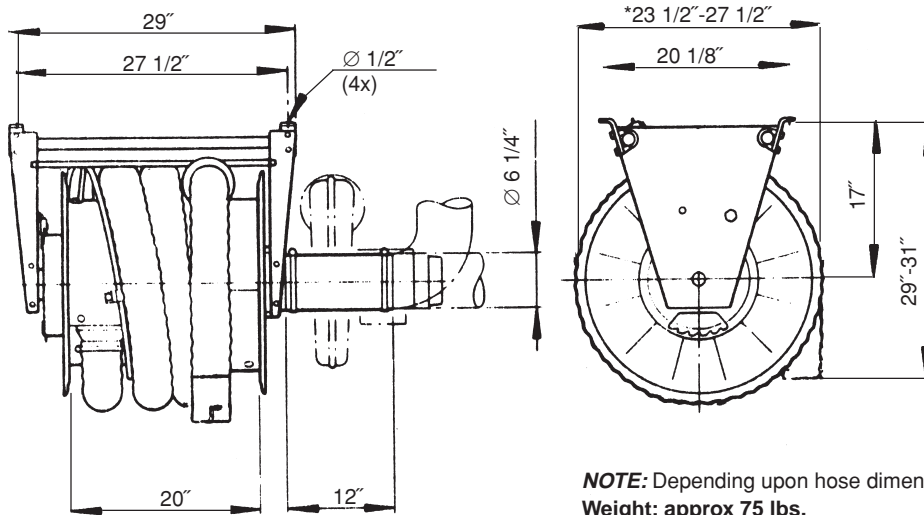
The reel is designed for ceiling or wall mounting. The stated mounting height should not be exceeded if the optimum re-wind function is to be retained. The reel must be connected to a duct system using an exhaust fan.



MODELS

HR-3	3" DIA. HOSE
HR-4	4" DIA. HOSE
HR-5	5" DIA. HOSE
HR-6	6" DIA. HOSE

MEASUREMENTS



NOTE: Depending upon hose dimensions.
Weight: approx 75 lbs.
 without hose

SCHEDULE				PROJECT	
ITEM	QTY.	MODEL	DESCRIPTION	LOCATION	
				ARCHITECT	
				ENGINEER	
				CONTRACTOR	
				SALES ENG'R	
				DATE	

