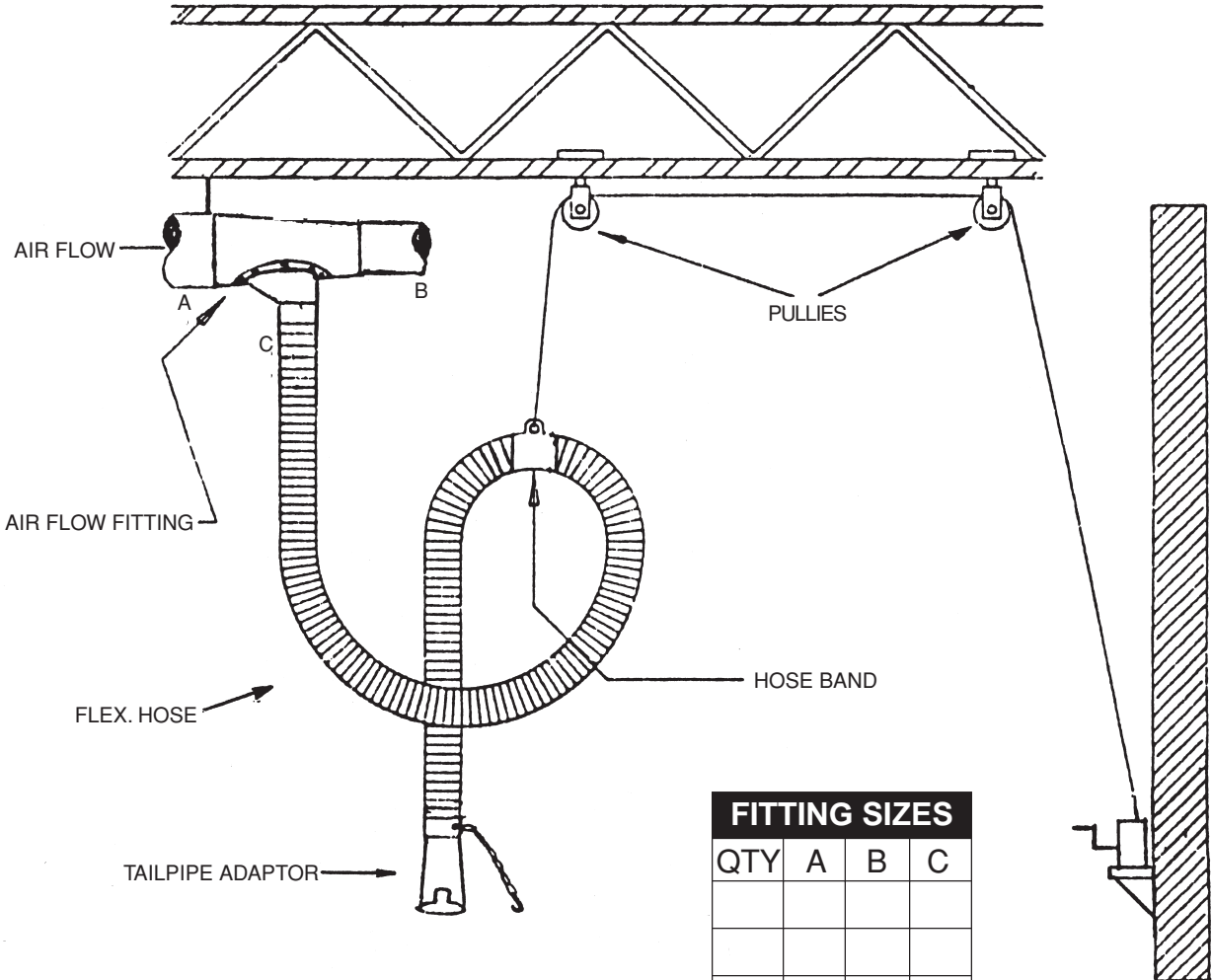


ENGWALD X -80 SERIES OUTLETS



PULL UP ASSY TYPE	
	RATCHET WINCH
	WALL CLEAT
1/8" CABLE	FT.
1/4" ROPE	FT.

FITTING SIZES			
QTY	A	B	C

All Air Flow Fittings 24Ga Galvanized Steel Construction Riveted and Soldered Seams Standard

SCHEDULE				PROJECT	
ITEM	QTY.	MODEL	DESCRIPTION	LOCATION	
				ARCHITECT	
				ENGINEER	
				CONTRACTOR	
				SALES ENG'R	
				DATE	

